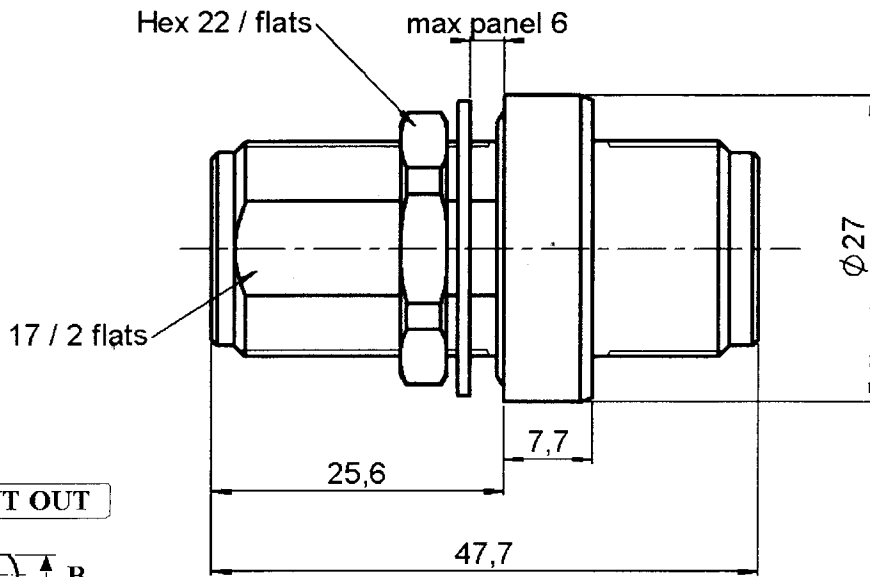


BULKHEAD WATER PROOF F-F BETWEEN SERIES

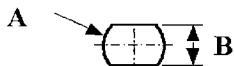
R176.754.000

BULKHEAD

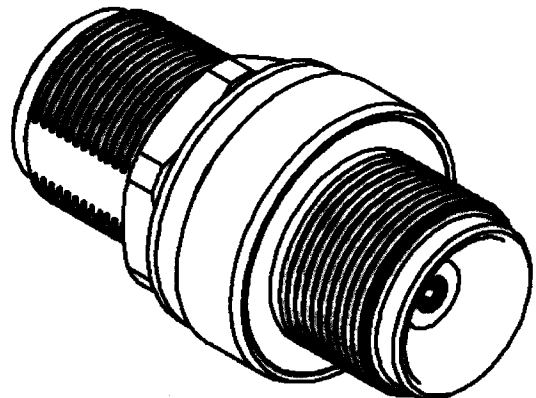
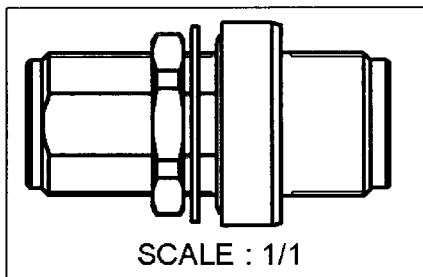
Series : HN



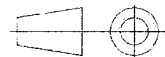
PANEL CUT OUT



mm		
	Maxi	mini
A	19.3	19.2
B	17.3	17.2



All dimensions are in mm.



COMPONENTS	MATERIALS	PLATINGS (µm)
BODY	CuZn36Pb3	NICKEL 2
CENTER CONTACT	CuBe2	SILVER 5
OUTER CONTACT	-	-
INSULATOR	PTFE	-
GASKET	SILICON	-
OTHERS PARTS	-	-
-	-	-
-	-	-

Issue : 0310 U

In an effort to improve our products, we reserve the right to make changes judged to be necessary.



BULKHEAD WATER PROOF F-F BETWEEN SERIES

R176.754.000

BULKHEAD

Series : **HN**

PACKAGING

Standard	Unit	Other
1	-	Contact us

SPECIFICATION

29713711AA-RevB

ELECTRICAL CHARACTERISTICS

Impedance		50 Ω
Frequency		0-3 GHz
VSWR	1.35 +	0.000 x F(GHz) Maxi
Insertion loss		0.156 √F(GHz) dB Maxi
RF leakage	- (AD - F(GHz)) dB Maxi
Voltage rating		1750 Veff Maxi
Dielectric withstanding voltage		5000 Veff mini
Insulation resistance		10000 MΩ mini

ENVIRONMENTAL

Operating temperature	-55/+155 °C
Hermetic seal	- Atm.cm3/s
Panel leakage	0.35

OTHERS CHARACTERISTICS

Assembly instruction

Others :

Rigidite dielectrique:8000Vcc accouplè

MECHANICAL CHARACTERISTICS

Center contact retention	
Axial force – Mating end	27 N mini
Axial force – Opposite end	27 N mini
Torque	NA N.cm mini
Recommended torque	
Mating	- N.cm
Panel nut	600 N.cm
Mating life	0 Cycles mini
Weight	76.600 g

Issue : 0310 U

In our effort to improve our products, we reserve the right to make changes judged to be necessary.

